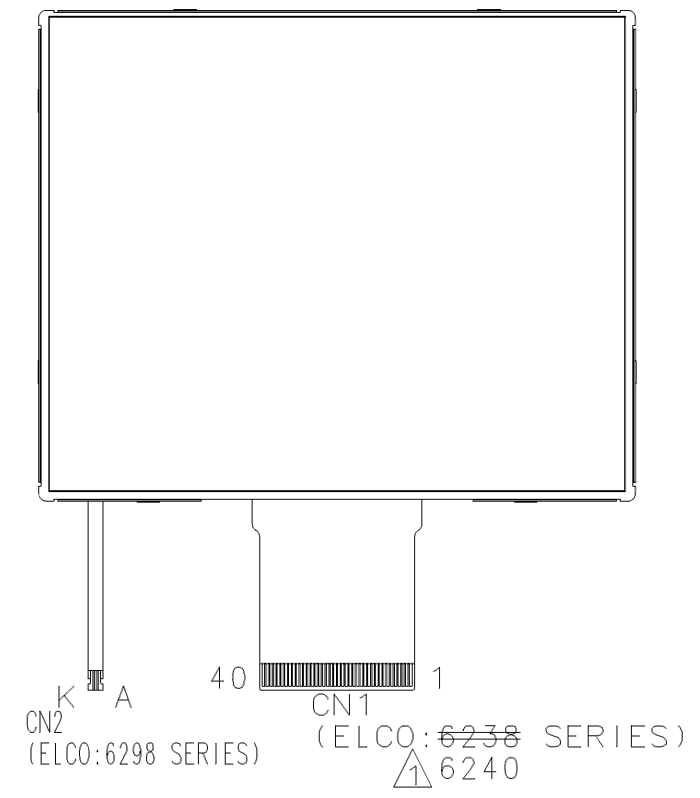
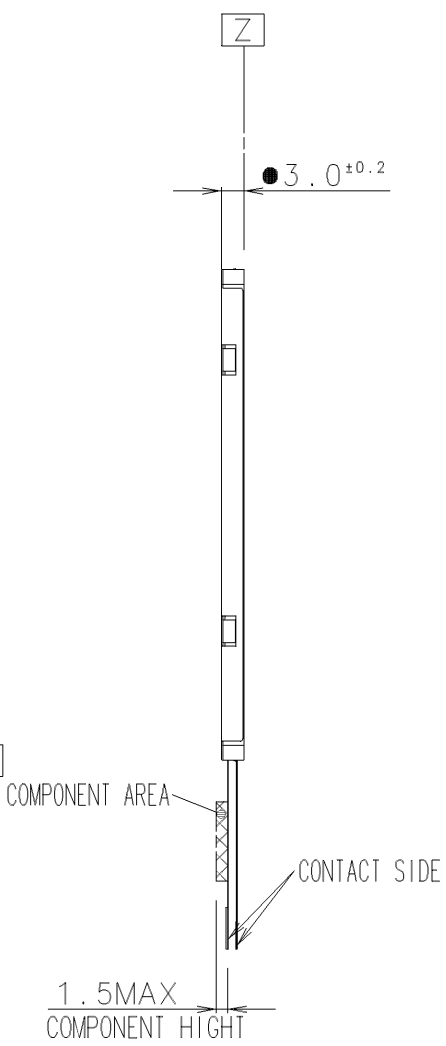
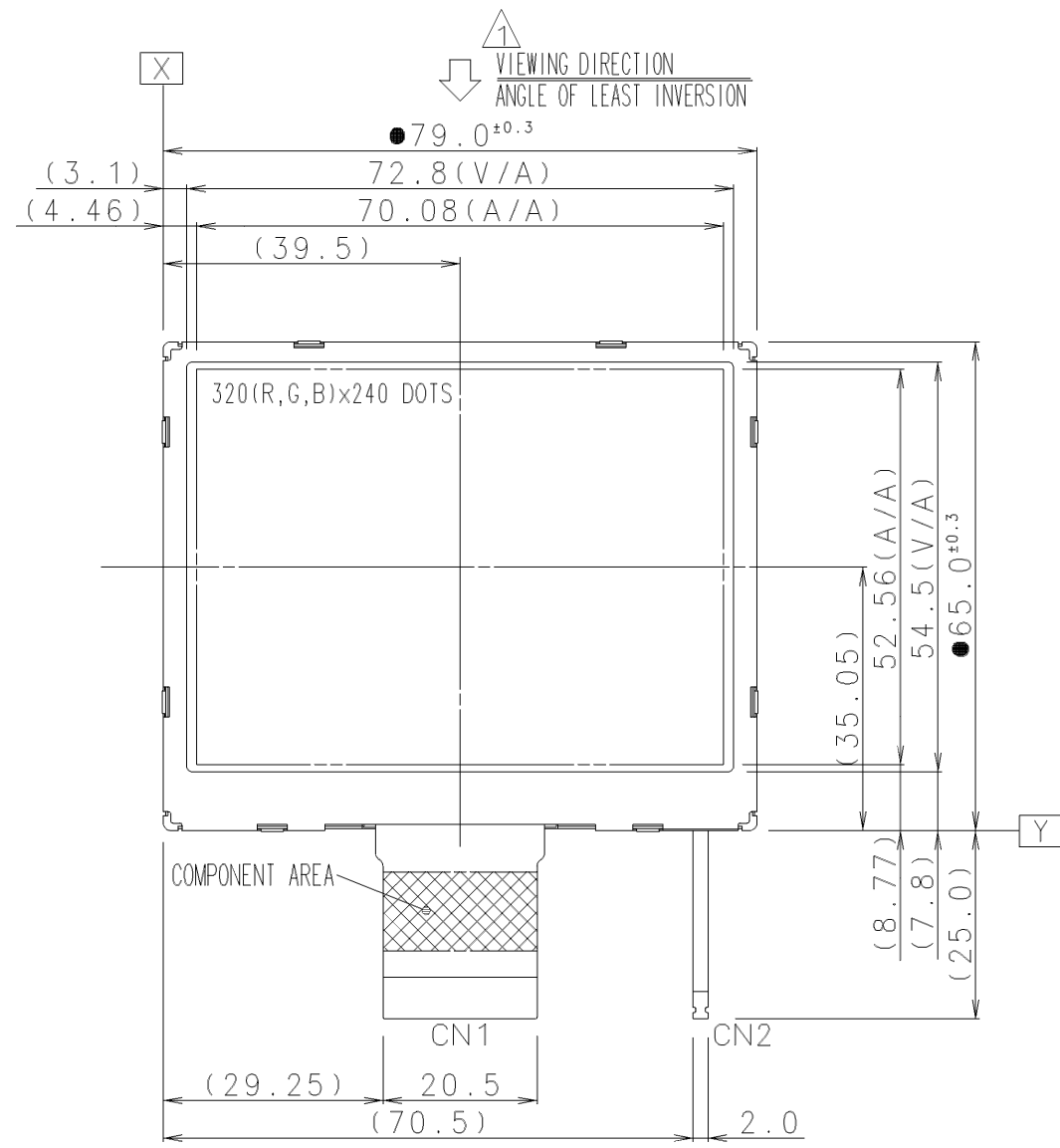
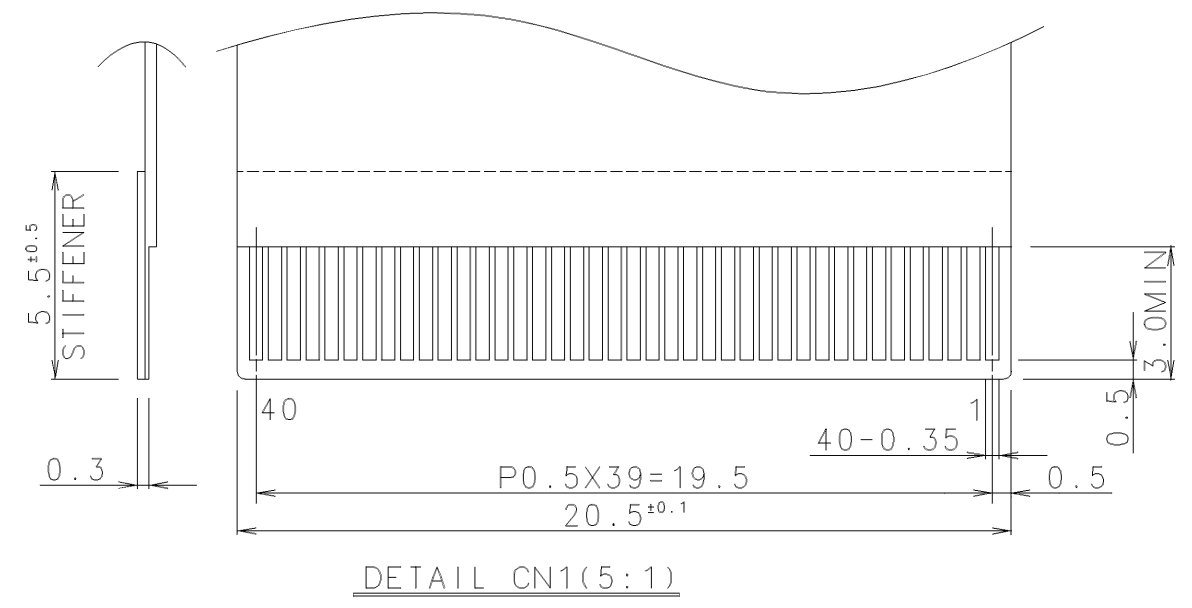
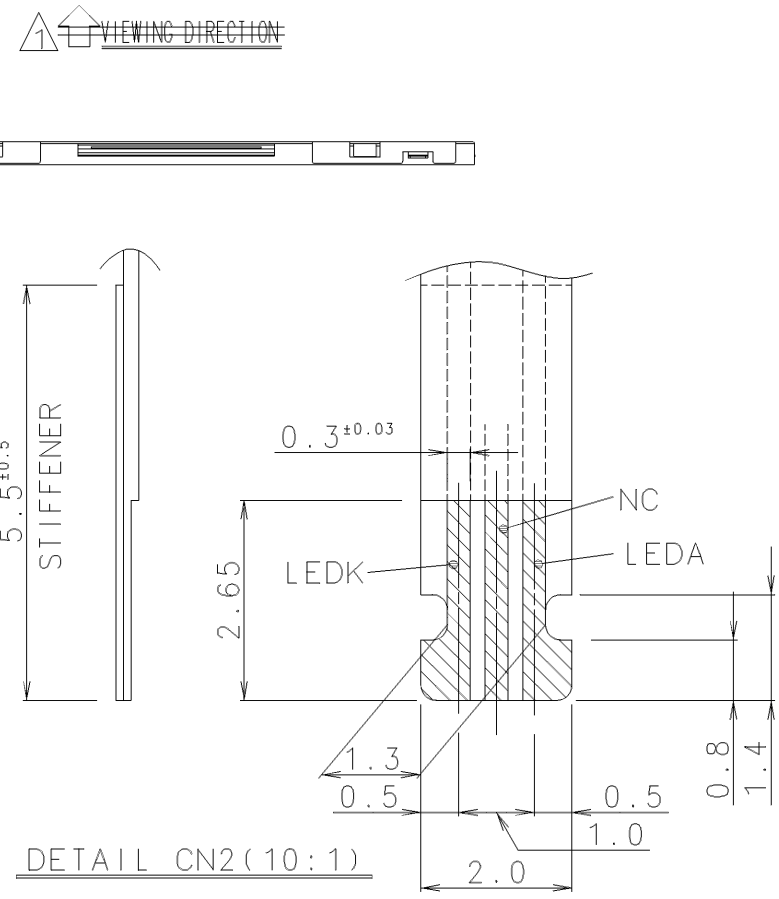


ISSUE	REVISIONS	DRAWN	DATE
△1	ADDED THE NOTE OF THE VIEWING DIRECTION, AND CORRECTED THE VIEWING DIRECTION. CORRECTED THE CN1 CONNECTOR.	S. SANO	FEB.04'08
△2	CHANGED THE PIN ASSIGNMENT OF CN1.	S. SANO	MAR.13'08



△ CN1 PIN ASSIGNMENT

NO.	SYMBOL	NO.	SYMBOL
1	RL	26	DB6
2	TB	27	DB5
3	DOTCLK	28	DB4
4	VSYNC	29	DB3
5	HSYNC	30	DB2
6	ENABLE	31	DB1
7	DB23	32	DB0
8	DB22	33	SDI
9	DB21	34	SCL
10	DB20	35	CS
11	DB19	36	RESET
12	DB18	37	SDO
13	DB17	38	GND
14	DB16	39	VCC
15	GND	40	VCC
16	DB15		
17	DB14		
18	DB13		
19	DB12		
20	DB11		
21	DB10		
22	DB9		
23	DB8		
24	GND		
25	DB7		



TOLERANCE			
MEASURE	A	B	C
L ≤ 16	±0.1	±0.3	±1
16 < L ≤ 63	±0.2	±0.5	±1.5
63 < L ≤ 250	±0.3	±0.8	±2
250 < L ≤ 500	±0.5	±1.2	±3
500 < L	±0.8	±2	±4
ANGLE	±1°	±5°	±10°

Notes  
THE DIMENSIONS WITH THE MARK (●) ARE CONTROLLED AS A PARTICULAR CHARACTERISTIC.

MATERIAL:		FINISH:	
DATE 2008/03/17	THIRD ANGLE PROJECTION	OPTREX CORPORATION	
APPROVED Toshiyuki Okamoto	SCALE UNIT 1:1 mm		
CHECKED Shuji Mizobuchi	DATE JUL.30'07	TITLE DIMENSIONAL OUTLINE	
DRAWN Satoshi Sano	DSGN M.KATAYAMA	DWG NO.(CODE) T-55343AD BASE	
		DWG SIZE A3	DWG REV