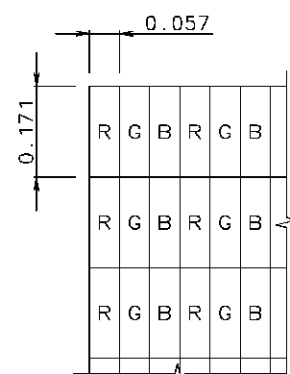
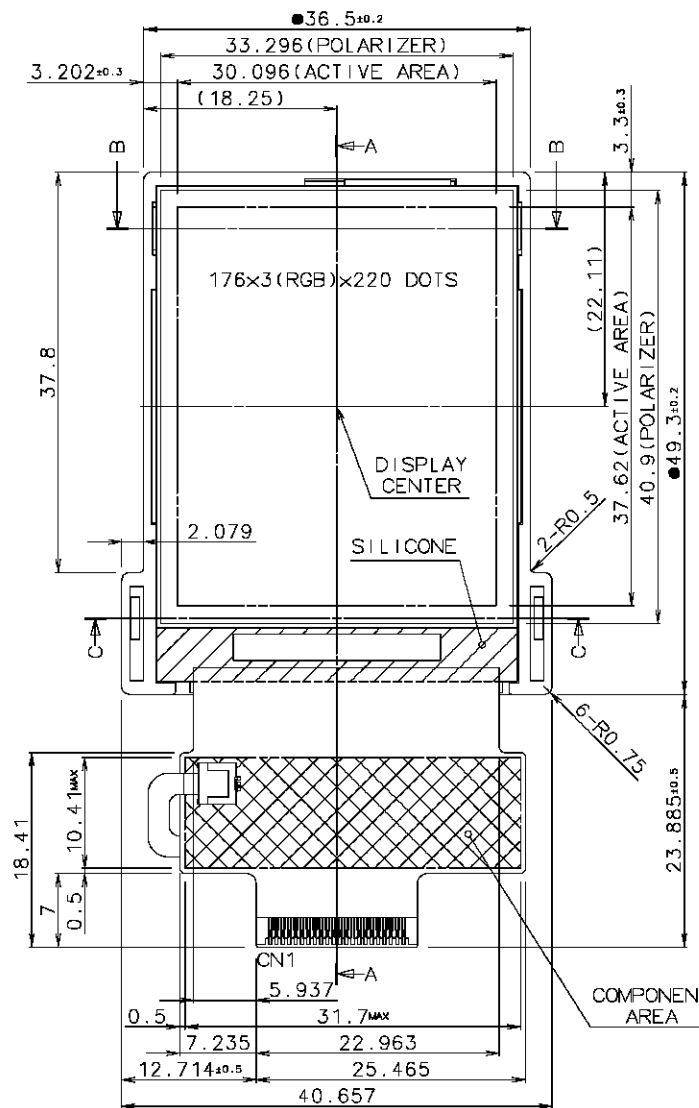
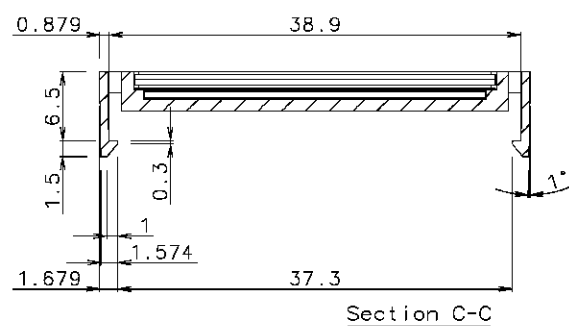


Section B-B

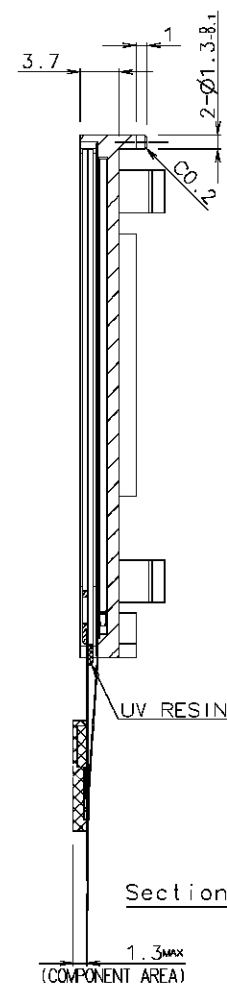
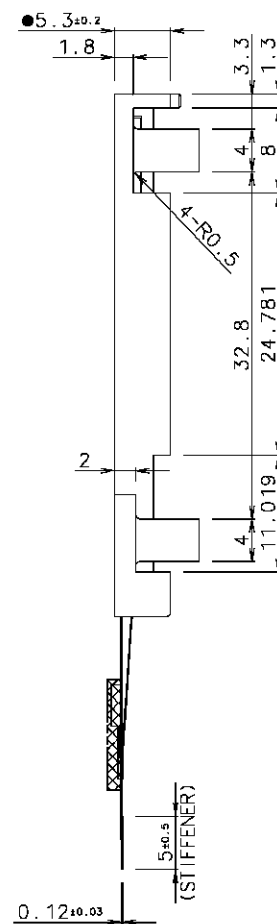


DOT Detail (S=100:1)

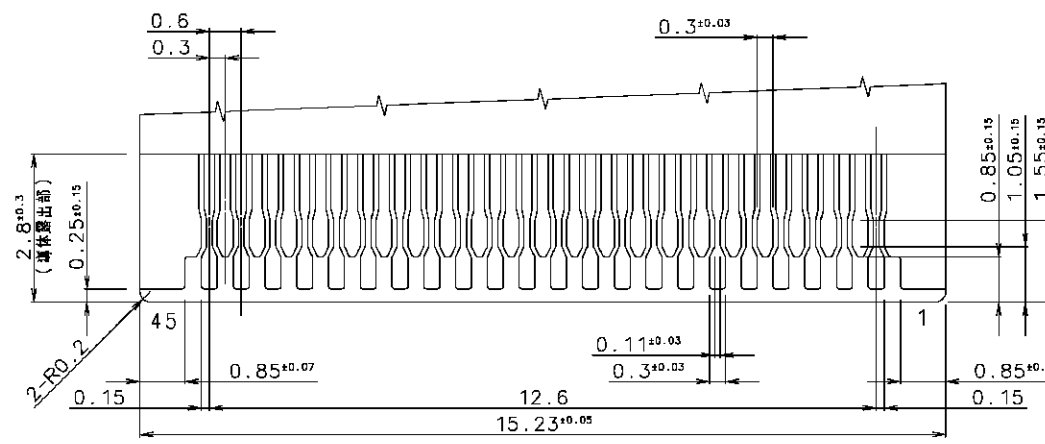
↑ VIEWING DIRECTION (NON INVERTING)



Section C-C



Section A-A



Detail CN1(S=10:1)

CN1

PIN ASSIGNMENT

No.	SYMBOL
1	GND
2	VDD1(1.8V)
3	VDD1(1.8V)
4	VDD2(2.6V)
5	VDD2(2.6V)
6	SD
7	SCL
8	ENABLE
9	DOTCLK
10	HSYNC
11	VSYNCl
12	VSYNCO
13	/CS
14	RS
15	/RD
16	/WR
17	D0
18	D1
19	D2
20	D3
21	D4
22	D5
23	D6
24	D7
25	D8
26	D9
27	D10
28	D11
29	D12
30	D13
31	D14
32	D15
33	D16
34	D17
35	/RES
36	IF1
37	IF2
38	IF3
39	C86
40	LED_A
41	LED_A
42	LED_K
43	LED_K
44	GND
45	GND

NOTES

- The dimensions with the mark (●) are controlled as a particular characteristic.
- The mating connector of CN1 is FF02B45SV1(JAE).

MEASURE	TOLERANCE		
	A	B	C
L≤16	±0.1	±0.3	±1
16<L≤63	±0.2	±0.5	±1.5
63<L≤250	±0.3	±0.8	±2
250<L≤500	±0.5	±1.2	±3
500<L	±0.8	±2	±4
ANGLE	±1°	±5°	±10°

MATERIAL:		FINISH:	
DATE 2005/08/09	THIRD ANGLE PROJECTION	OPTREX CORPORATION	
APPROVED Noboru Wada	SCALE UNIT 2:1 mm		
CHECKED Yasuo Yamaguchi	DATE AUG.05'05	TITLE DIMENSIONAL OUTLINE	
DRAWN Setoshi Sano	DSCN S.Sano	DWG NO.(CODE) T-51909AC base	
	DWG SIZE A2	DWG REV	