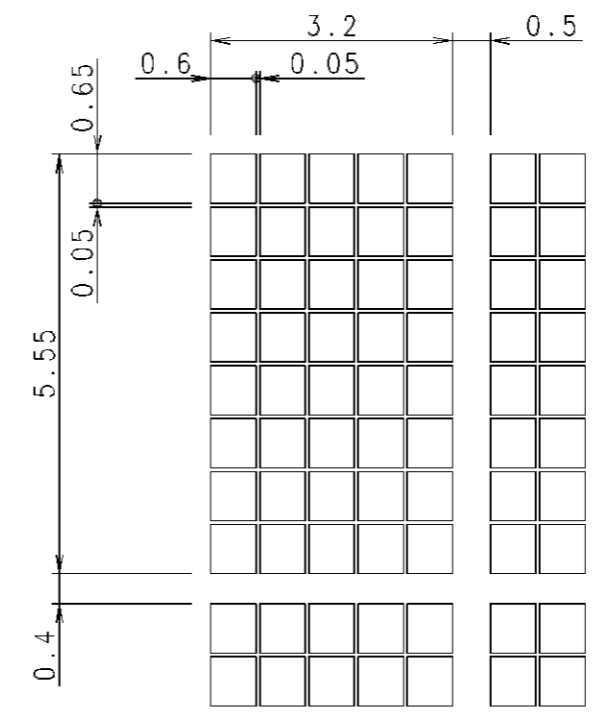
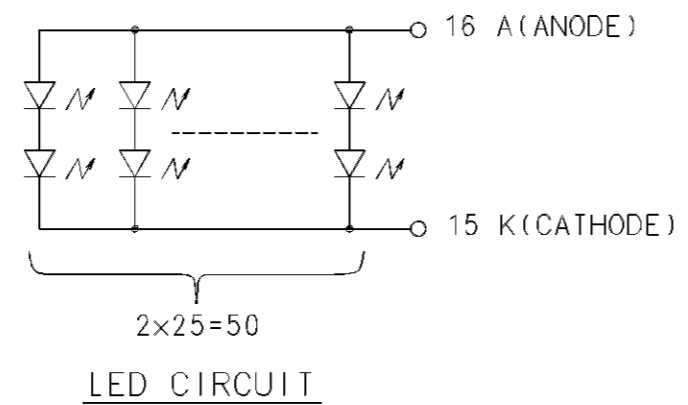


PIN ASSIGNMENT	
PIN No.	SYMBOL
1	VSS
2	VDD
3	VEE
4	RS
5	R/W
6	E
7	DB0
8	DB1
9	DB2
10	DB3
11	DB4
12	DB5
13	DB6
14	DB7
15	LED CATHODE
16	LED ANODE



DOT DETAIL SCALE(10/1)

- NOTES:
- 1) TOLERANCES OF ALL DIMENSIONS ARE ±0.3mm OTHERWISE NOTIFIED.
 - 2) THE DIMENSIONS WITH THE MARK (●) ARE CONTROLLED AS A PARTICULAR CHARACTERISTIC.
 - 3) DON'T USE MATERIAL WHICH ARE PROHIBITED BY RoHS.

TOLERANCE			MATERIAL:		FINISH:	
MEASURE	A	B	DATE	THIRD ANGLE PROJECTION	OPTREX CORPORATION	
L≤16	±0.1	±0.3	APPROVED	SCALE	UNIT	TITLE
16<L≤63	±0.2	±0.5	CHECKED	1:1	mm	DWG NO.(CODE)
63<L≤250	±0.3	±0.8	DRAWN	DATE	MAR.30'06	DWG SIZE
250<L≤500	±0.5	±1.2		DSGN	M,Nakayama	DWG REV
500<L	±0.8	±2				
ANGLE	±1°	±5°	±10°			